

## GMC-JMP45 Sealed Counter Plate

### Features

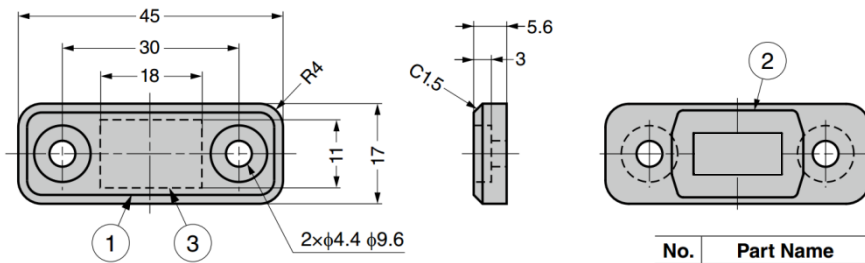
- For resin coated magnetic catch
- Counter plate coated with resin prevents rusting, dust and spark
- Completely sealed, ideal for high corrosion environments such as equipment machinery, kitchen or bath equipment

### Notes

- Do not use in contact with steam, hot water and water, or strongly acidic or basic detergents
- Resin coating may decrease the magnetic force of the magnetic catch that is used

### Recommended Screws

- M4 screw, tapping screw nominal 4 (truss or binding head, SUS)

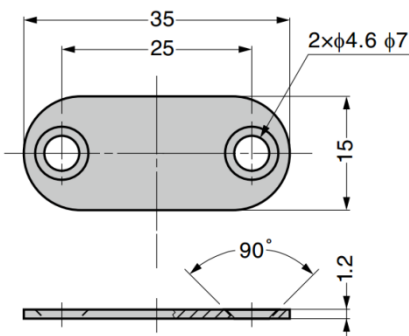


No.	Part Name
-----	-----------

No.	Part Name	Material	Finish / Colour
①	Body	PP	White, Black
②	Body (Back Side)		Blue
③	Plate	Steel (SPCC)	Clear Zinc Chromate (Trivalent)

Part No.	Colour
GMC-JMP45WT	White
GMC-JMP45BL	Black

## GMC-YN001U Counter Plate



Part No.	Material	Finish
GMC-YN001U	Steel (SPCC)	Nickel
GMC-YN001U-BL		Black